



2925 Briarpark, Suite 275
Houston, TX 77042-3720
713/782-0042 Fax 713/782-5337

ADDENDUM NO.1

**WATER DISTRIBUTION, SANITARY SEWER AND DRAINAGE
TO SERVE WYNDEHAVEN LAKE ESTATES
WITHIN HARRIS-FORT BEND COUNTIES MUD NO. 1
FORT BEND COUNTY, TEXAS
00608-001-UTL (c&e)**

Notice to Bidders:

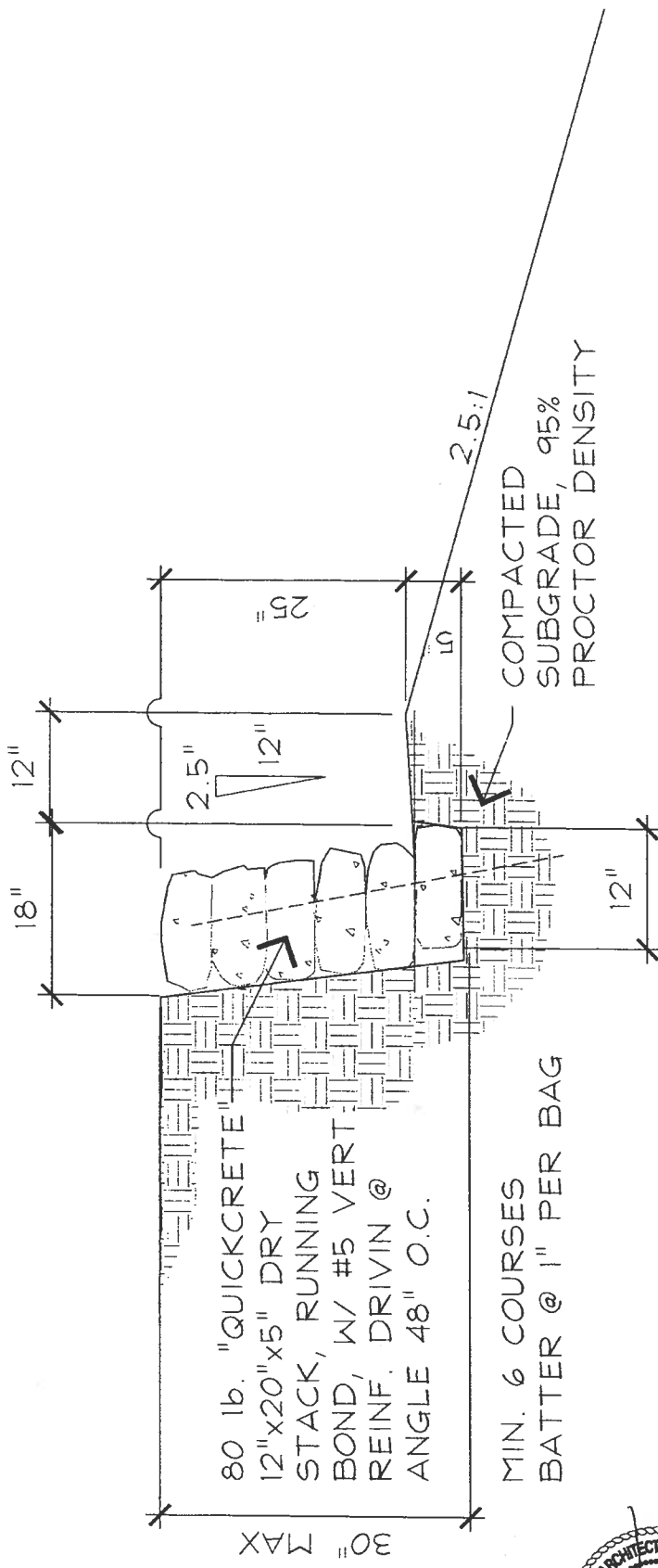
For your reference, please find attached the Sweitzer & Associates slope protection detail to be utilized in the northwest detention pond.

Please let me know if you have any questions.

Thank you,

A handwritten signature in black ink, appearing to read "Juliana Bihlet".

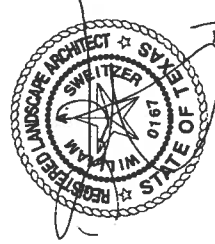
Juliana Bihlet, P.E.
Project Engineer



80 lb. "QUICKCRETE"
 12"x20"x5" DRY
 STACK, RUNNING
 BOND, W/ #5 VERT.
 REINF. DRIVEN @
 ANGLE 48" O.C.

MIN. 6 COURSES
 BATTER @ 1" PER BAG

COMPACTED
 SUBGRADE, 95%
 PROCTOR DENSITY



WYNDEHAVEN LAKE ESTATES

SLOPE PROTECTION DETAIL

Date	07-15-2010	Revision Date	N/A
Scale	1"=1'-0"	Sheet No.	1 of 1
Project No.	210-005		

sweitzer + associates
 landscape architects
 planning consultants
 13300 Katy Hwy.
 Houston, TX 77079
 281.496.3111
info@sweitzerassoc.com

